



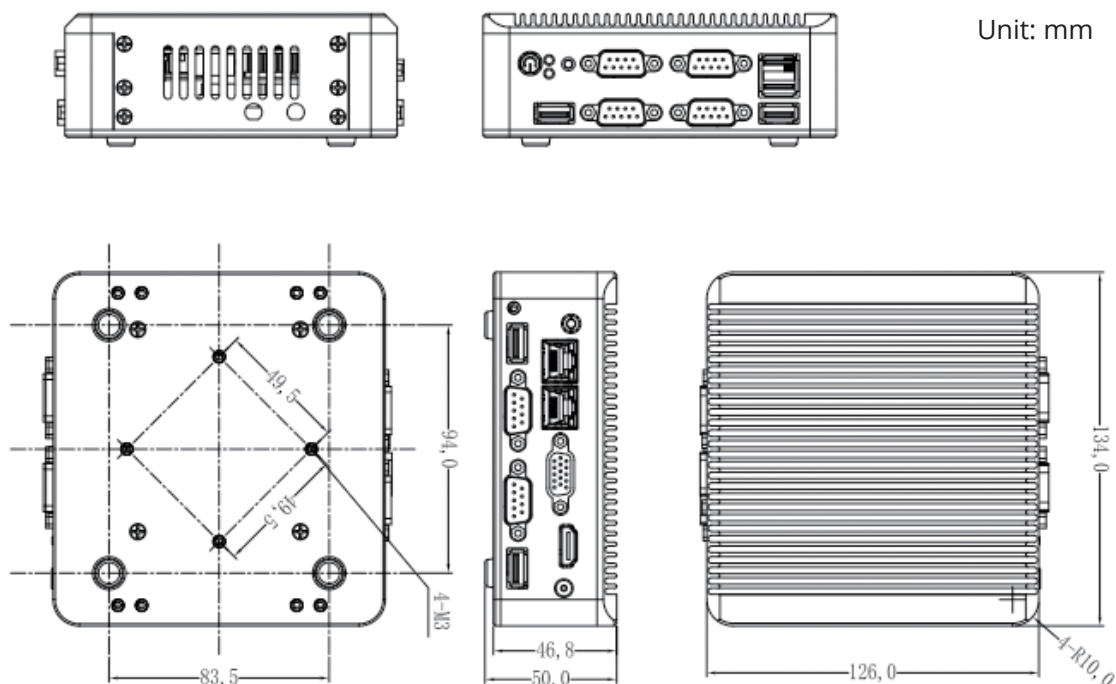
## Embedded Box PC Based on Intel Gemini Lake Single Chip CPU



### Main Features:

- Integrated Intel Gemini Lake single chip CPU
- Support TPM2.0(optional)
- Provide 1 x VGA, 1 x HDMI 2.0(support 4K display output)
- RS232 and RS485 optional for COM1 and COM2 via jumper and BIOS setting, RS232 for COM3, COM4, COM5 and COM6
- Onboard 32G/64G/128G EMMC storage chip(optional)
- 12-19V power supply, supports power on automatically and wire jumper selection

### Dimension:



## Specification:

Processor	CPU	Intel J4125 (2.0GHz/4C/4T)
	CPU Packaging	BGA
	Chipset	Intel Gemini Lake CPU, single chip
	BIOS	EFI BIOS
Memory	Technical Architecture	Single-channel DDR4 2133/2400MHz
	Capacity	Up to 8GB DDR4
	Slots	DDR4 SODIMM 60 Socket
Video	Graphics	Intel UHD 600 Graphics
	HDMI	HDMI(2.0), maximum resolution 4K@60Hz
	VGA	VGA, maximum resolution 1920 x 1200
Rear Panel I/O	Interfaces	1 x HDMI, 2 x USB3.0, 4 x USB2.0, 2 x LAN, 6 x COM(COM1 and COM2 have RS232 and RS485 for options via jumper and BIOS setting, RS485 supports automatic flow control, while COM3, COM4, COM5, COM6 only have RS232), 1 x quick start button with indicator light, 1 x reset button, 1 x DC, 1 x power indicator light, 1 x hard disk indicator light
Network	Controller	2 x Intel I211AT or Intel I210 high-performance Gigabit network card(pick one of two)
I/O Interfaces	USB	4 x USB2.0, 2 x USB3.0 with maximum voltage/current +5V/1A
	Serial Port	COM1 and COM2 have RS232 and RS485 for options via jumper and BIOS setting, RS485 supports automatic flow control, while COM3, COM4, COM5, COM6 only have RS232
Expansion Bus	Mini-PCIe	1 x Mini-PCIe slot, support PCIe and USB signal devices(5G module and 4G module optional)
Storage	SATA	1 x standard SATA III interface, maximum transmission rate 6Gb/s
	M-SATA	1 x Mini-PCIe M-SATA Socket, support SANDISK protocol, maximum transmission rate 6gb/s
	EMMC	32G/64G/128G optional
Power Supply	Type	Single input power supply, DC12-19V, +/-5%
Environment	Operating Temperature	-20°C ~ +60°C
	Storage Temperature	-40°C ~ +85°C
	Operating Humidity	0% ~ 90% Relative Humidity, non-condensing
	Storage Humidity	0% ~ 90% Relative Humidity, non-condensing
OS		Windows 10 Linux
Size	Dimension	134 x 126 x 46.8mm
	Weight	0.5KG
Certification		CE, ROHS, FCC

## Order Information:

Model	Description	CPU Options
BPC-IJ4125P-2N6B	Integrated Intel Gemini Lake CPU, single chip	J4125/J4105/J4005/N4100/J5005

### ABOUT POLYHEX

As a board level and system level designer and manufacturer, Polyhex, with 9 years' experience, always delivers best-in-class embedded computing solutions based on both ARM and X86 architecture, including hardware customization and software debugging etc. Partnered with silicon vendors like Intel, NXP, ST, Rockchip, Allwinners and so on, we have earned trust from clients worldwide in over 30 countries. Polyhex is also certified with ISO9001 and ISO13485 for the self-owned manufacture facility.

